

# PROXIMITY INDUCTIVE 18BY

**Model:LJ18A3-8-Z/BY**

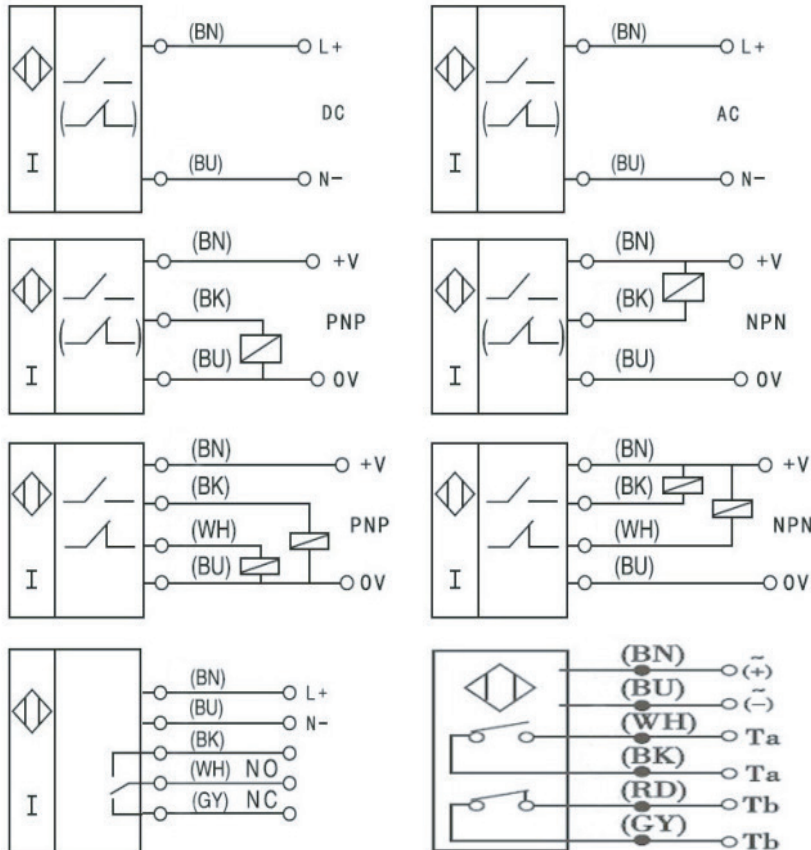


## **Specifications:**

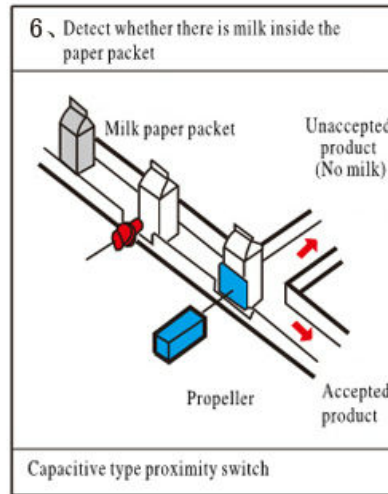
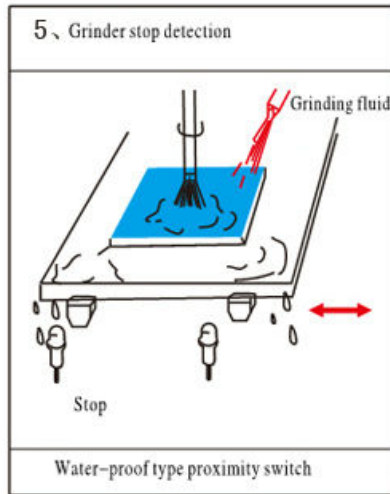
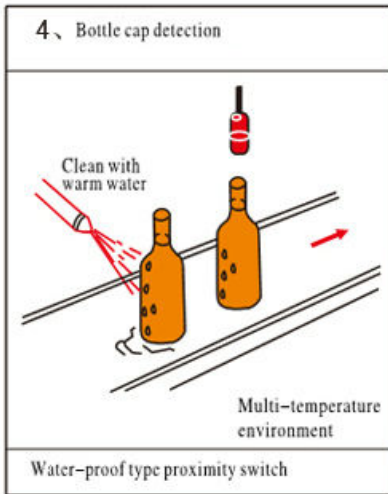
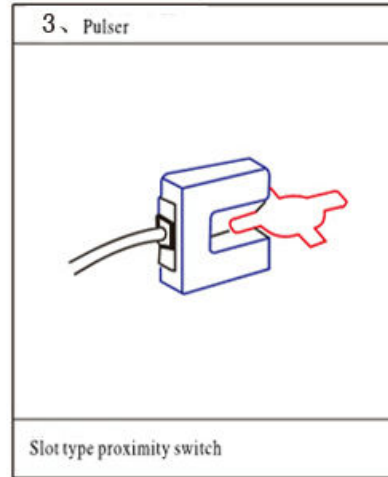
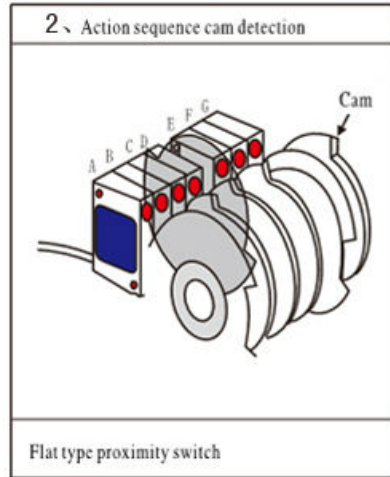
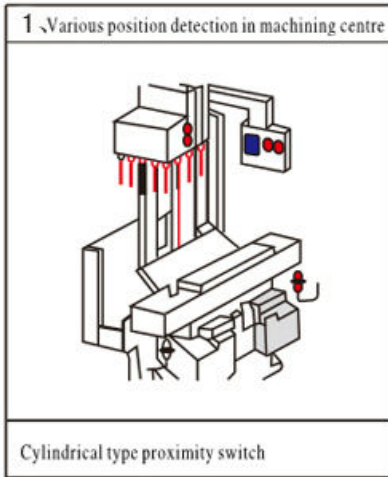
Product Name	Inductive Proximity Switch
Model	LJ18A3-8-Z/BY
Theory	Inductive Sensor
Wire Type	3 Wire Type (Brown, Blue, Black)
Switch Appearance Type	Cylinder Type
Output Type	NO (Normal Open)
Detection Distance	8mm +/- 10%
Electrical Voltage	6-36V DC
Set Distance	0~7mm
Output Current (max)	200mA
Detect objects	Iron
Standard Detection Object	Iron 30x30x1mm
Response Frequency	DC 0.5kHz , AC 25Hz
Column Sensor Diameter	18mm
Thread Diameter	18mm
External Dimensions	M18x68
Cable Length	1.1m
External Material	Plastic, Alloy

<b>Dimension</b>		<b>M18</b>		
<b>Detection Distance</b>		<b>8mm</b>		
<b>Dimensional Drawing</b>				
<b>Model</b>	<b>DC Type</b>	<b>NPN</b>	<b>NO</b>	<b>LJ18A3-8-Z/BX</b>
			<b>NC</b>	<b>LJ18A3-8-Z/AX</b>
			<b>NO+NC</b>	<b>LJ18A3-8-Z/CX</b>
		<b>PNP</b>	<b>NO</b>	<b>LJ18A3-8-Z/BY</b>
			<b>NC</b>	<b>LJ18A3-8-Z/AY</b>
			<b>NO+NC</b>	<b>LJ18A3-8-Z/CY</b>
	<b>Two-wire</b>	<b>NO</b>	<b>LJ18A3-8-Z/EX</b>	
		<b>NC</b>	<b>LJ18A3-8-Z/DX</b>	
	<b>AC Type</b>	<b>Two-wire</b>	<b>NO</b>	<b>LJ18A3-8-J/EZ</b>
			<b>NC</b>	<b>LJ18A3-8-J/DZ</b>
		<b>Three-wire</b>	<b>NO+NC</b>	<b>LJ18A3-8-J/EDZ</b>

**Installation:**



## Applications legend:



Made in China